

| End fittings | | Max. torque |
|--------------|----------|-------------|
| Tractor | Cod: 112 | - |
| Implement | Cod: 112 | - |

Notes: -

Warning !
 Sections of driveline marked are not shielded and must be shielded by an interactive guarding system.
 COMER spa declines responsibility if proper guards are not provided or maintained.

Features

| | |
|------------------|----------------|
| Series: | T |
| Type: | 60 |
| Code: | 07.620.065.11 |
| Description: | T601610S112112 |
| Customer's code: | - |
| Colour: | Black |

Last drawing

| | |
|----------|---------|
| Index: - | Date: - |
|----------|---------|

Application

| |
|---|
| - |
|---|

Driveline data

| | |
|---|--------------------|
| X | 1 3/8" Z6 DIN 9611 |
| Y | 1 3/8" Z6 DIN 9611 |
| E | 1450-57.09" |
| I | 1465-58.46 |
| P | / |

Overlap

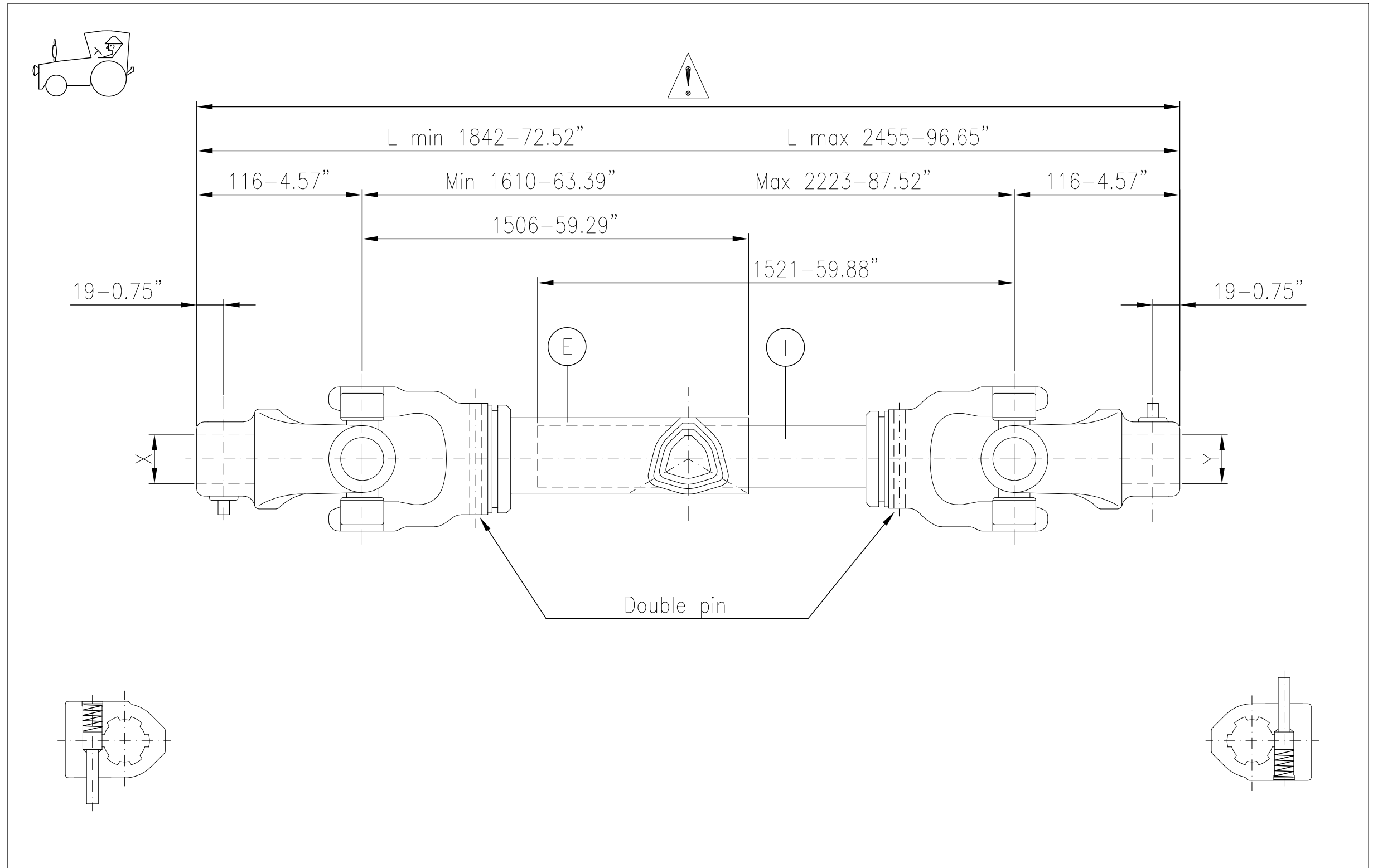
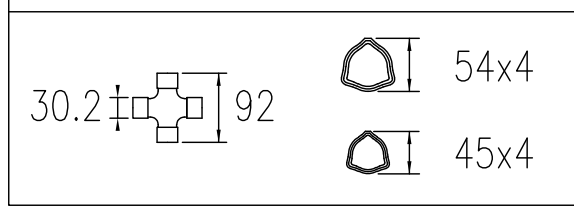
| Steel tubes | Guard |
|------------------|-------|
| Max. 1417-55.79" | -- |
| Min. 500-19.69" | -- |

Greasing point

| | |
|----|---|
| 1) | - |
| 2) | - |

The dimensioning is cross to cross

Cross and tubes



Data 540 r.p.m.

| KW | CV | Nm. | in.lb. |
|----|----|-----|--------|
| 47 | 64 | 830 | 7350 |

Data 1000 r.p.m.

| KW | CV | Nm. | in.lb. |
|----|-----|-----|--------|
| 74 | 100 | 710 | 6259 |

540 min.⁻¹
 r.p.m. max.

Data for only critical velocity

| 540 r.p.m. | 1000 r.p.m. |
|------------|-------------|
| Max. - | Max. - |
| L max. - | L max. - |

Continuous operation data and conditions, working angle 5°, average life 1000 hours

Customer:

--
 Date: 31-10-17

Checked: Signed by: A.S.